

Architectural Wall Heater



The WAI fan-forced wall heater is designed for commercial and industrial areas requiring higher KW ratings and quick recovery. The unit provides a burst of heat in areas affected by cold drafts or wide temperature swings.

- **Efficient Operation:** The fan draws air into the top of the grille and discharges warm air downward to distribute heat and keep floors warm and dry. High CFMs create air circulation within the room to provide uniform temperatures.
- **Extended Capacity:** The WAI is available with one or two modules and ratings up to 8,000 W and 320 CFM.

Applications

- Entryways
- Garages
- Guard Houses
- Offices
- Reception Areas
- Restrooms
- Stairwells
- Vestibules

Standard Construction Features

Heating Elements – Steel finned tubular elements.

Outlet Grille – The WAI has an architectural extruded aluminum grille in a choice of seven epoxy-polyester powder paint finishes. The closely spaced, heavy bar grille design prevents insertion of foreign objects. The tamperproof thermostat adjustment is concealed behind the front cover.

Built-in Controls – Automatic reset thermal cutout, fan override and thermostat (32° to 120°F).

Fan Motor – Permanently lubricated, totally enclosed fan operates at a low 58 dBA.

Installation Requirements – Standard supply wiring rated at 60°C can be used for installation of wall heaters. Heater must be installed at least ten inches from the floor and adjacent walls.

Architectural Wall Heater

Factory Built-in Options

Code	Description
D1	Disconnect Switch 600V, Three-pole, 40 Amp
D3	Disconnect Switch 277V, Double-pole, 20 Amp
R1	24V Relay
R2	24V Relay with Transformer
S3	Fan On/Auto Switch

Remote Room Thermostat – See page 96

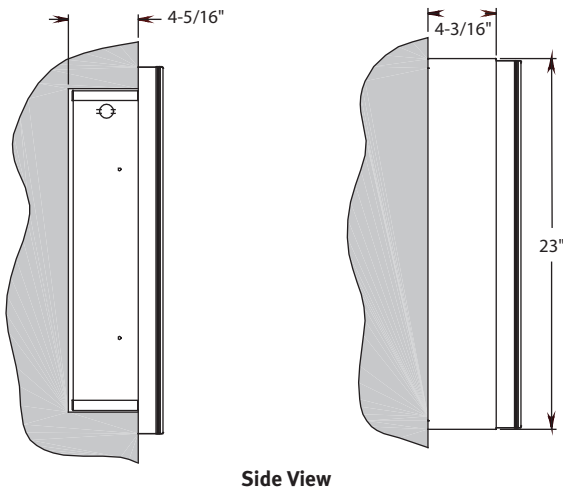
Field-Installed Options

(shipped loose for field installation into heater)

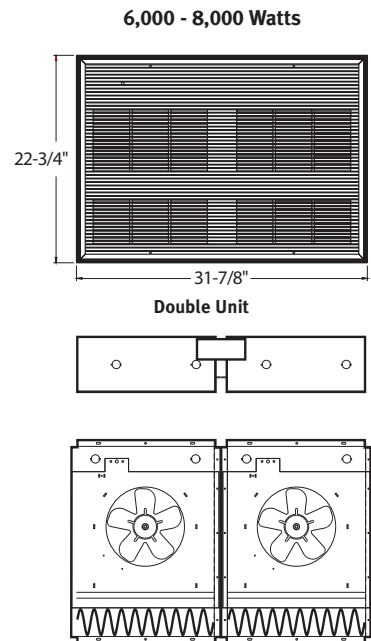
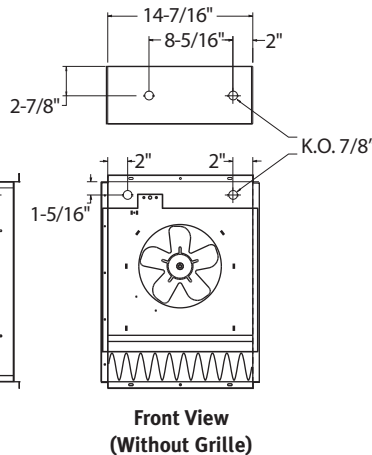
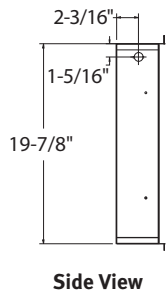
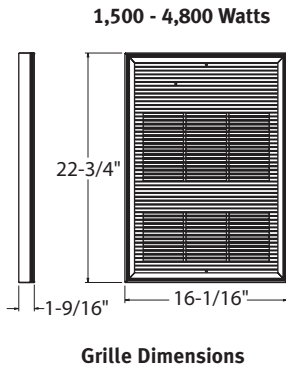
Catalog Number	Description
933-124501	Surface Mounting Box (1500-4800 W)
933-158471	Surface Mounting Box (6000-8000 W)
933-151114	1" Semi Recessed Trim Kit (1500-4800 W)
933-166530	1" Semi Recessed Trim Kit (6000-8000 W)
933-151115	2" Semi Recessed Trim Kit (1500-4800 W)
933-166531	2" Semi Recessed Trim Kit (6000-8000 W)

Add color code to end of catalog number. (See next page for codes.)

Required Wall Depth Opening



Heater Dimensions



Architectural Wall Heater

Commercial Unit Heater Listing

Built-in tamperproof thermostat is included.

Watts	Volts	Total Amps (1)	CFM	Approximate Air Temperature Rise °F (°C)	Weight lb (kg)	Catalog Number
1500/1125	240/208	6.6/5.8	160	30/27 (17/12)	24 (11)	933U01500V
1500	277	5.8	160	30 (17)	28 (13)	933U01500N
	480	3.5	160	30 (17)	28 (13)	933U01500T
2000/1500	240/208	8.7/7.6	160	40/30 (22/17)	24 (11)	933U02000V
2000	208	10.0	160	40 (22)	24 (11)	933U02000C
	277	7.6	160	40 (22)	28 (13)	933U02000N
	480	4.5	160	40 (22)	28 (13)	933U02000T
3000/2250	240/208	12.9/11.2	160	60/45 (33/25)	24 (11)	933U03000V
3000	277	11.2	160	60 (33)	28 (13)	933U03000N
	480	6.6	160	60 (33)	28 (13)	933U03000T
4000/3000	240/208	17.0/14.8	160	80/60 (44/33)	24 (11)	933U04000V
4000	208	19.6	160	80 (44)	24 (11)	933U04000C
	277	14.8	160	80 (44)	28 (13)	933U04000N
	480	8.7	160	80 (44)	28 (13)	933U04000T
4800/3600	240/208	20.4/17.7	160	96/72 (53/40)	24 (11)	933U04800V
4800	208	23.5	160	96 (53)	28 (13)	933U04800C
	277	17.7	160	96 (53)	28 (13)	933U04800N
	480	10.4	160	96 (53)	28 (13)	933U04800T
6000/4500	240/208	25.4/22.0	320	60/45 (33/25)	50 (23)	933U06000V
6000	277	22.1	320	60 (33)	50 (23)	933U06000N
	480	12.9	320	60 (33)	50 (23)	933U06000T
8000/6000	240/208	33.7/29.2	320	80/60 (44/33)	50 (23)	933U08000V
8000	208	38.9	320	80 (44)	50 (23)	933U08000C
	277	29.3	320	80 (44)	50 (23)	933U08000N
	480	17.1	320	80 (44)	50 (23)	933U08000T

(1) Total Amps = Heating element amps and motor amps.

All models listed are single-phase. Other voltages available. Consult factory.

Add color code to end of catalog number.

Standard colors. See Color Code Chart below.

Color Code Chart

Code	Color
BZ	Bronze
AE	Metallic Silver
CM	Charcoal Steel
NR	Textured Black
BG	Beige-Grey
W	White
A	Almond