

# SureHeat® MAX Air Heater

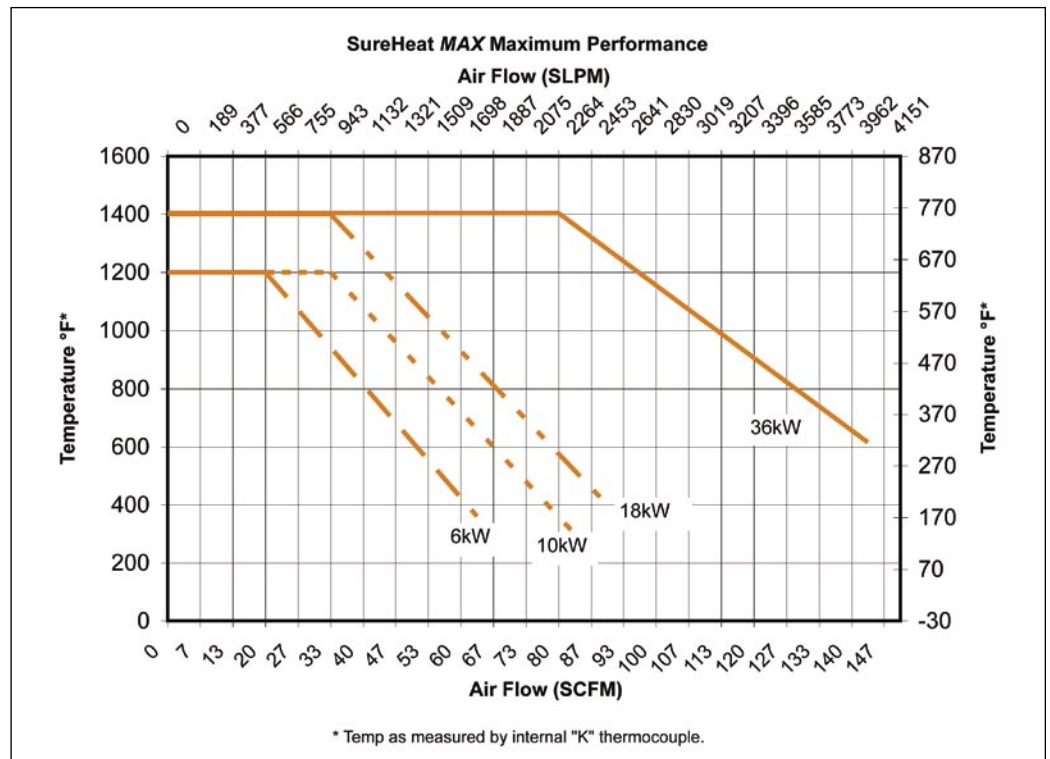
14

## Specifications

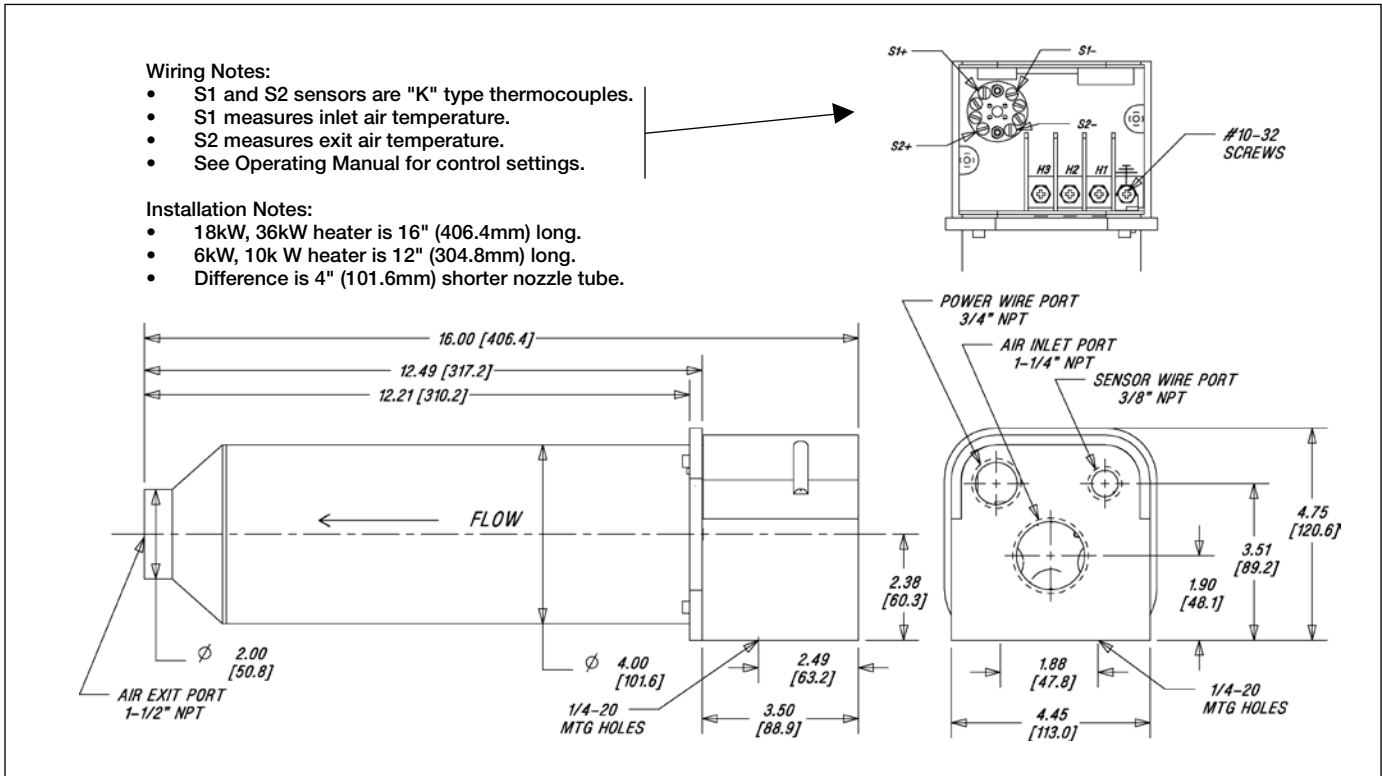
- Air temp controllable to 1400°F (760°C) ±1°
- Power 6.0kW - 36.0kW 240/380/480V~ 1φ/3φ
- Two internal "K" TC sensors for control and safety:
  - S1 measures inlet temp.
  - S2 measures exit temp.
- Rapid heat-up and cool-down.
- Maximum air pressure 60 PSI (4 Bar)
- CE, UL compliant
- 'Ceramic-only' design for food packaging applications.
- Max inlet air temp 200°F (93°C)



## Performance



## Installation



15

## Products

Part Number	Description	Max Watts	Max Volts	Max Amps
074723	SureHeat MAX 6.0kW Heater	6.0kW	240V~ 1 $\phi$ 50/60 Hz	25.0
074724	SureHeat MAX 6.0kW Heater	6.0kW	240V~ 3 $\phi$ 50/60 Hz	14.5
074725	SureHeat MAX 6.0kW Heater	6.0kW	380V~ 3 $\phi$ 50/60 Hz	9.1
074726	SureHeat MAX 6.0kW Heater	6.0kW	480V~ 3 $\phi$ 50/60 Hz	7.2
074727	SureHeat MAX 10.0kW Heater	10.0kW	240V~ 1 $\phi$ 50/60 Hz	41.7
074728	SureHeat MAX 10.0kW Heater	10.0kW	240V~ 3 $\phi$ 50/60 Hz	24.1
074729	SureHeat MAX 10.0kW Heater	10.0kW	380V~ 3 $\phi$ 50/60 Hz	15.2
074731	SureHeat MAX 10.0kW Heater	10.0kW	480V~ 3 $\phi$ 50/60 Hz	12.0
074732	SureHeat MAX 18.0kW Heater	18.0kW	240V~ 3 $\phi$ 50/60 Hz	43.4
074733	SureHeat MAX 18.0kW Heater	18.0kW	380V~ 3 $\phi$ 50/60 Hz	27.4
074734	SureHeat MAX 18.0kW Heater	18.0kW	480V~ 3 $\phi$ 50/60 Hz	21.7
074735	SureHeat MAX 30.0kW Heater	30.0kW	380V~ 3 $\phi$ 50/60 Hz	45.6
074736	SureHeat MAX 36.0kW Heater	36.0kW	480V~ 3 $\phi$ 50/60 Hz	43.4

## Accessories

Part Number	Description
074829	1/16 DIN Digital temperature control (for S2)
074835	Thermal safety switch (for S1)